

Adjustable hand levers

for shaft collars

SPECIFICATION

Handle
Zinc die casting
plastic coated
black, RAL 9005, textured finish **SW**

Threaded insert
Stainless Steel AISI 303

Retaining screw
Stainless Steel AISI 304

INFORMATION

For shaft collars of the standard families GN 706... and GN 707..., the clamping kits GN 311 replace the hexagon socket screw DIN 912. That allows the shaft collars to be adjusted easily and quickly without tools.

The table of dimensions of the shaft collars shows the corresponding hand lever for the respective shaft collar size d1.

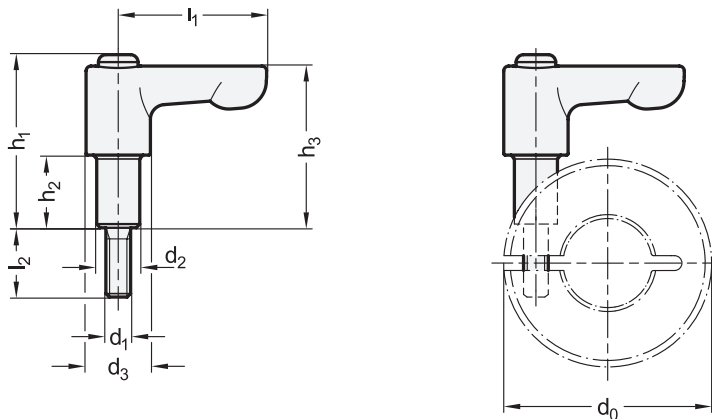
Under GN 706.4 (see page 959), semi-split shaft collars GN 706.2 (see page 954) are generally offered with clamping levers.

TECHNICAL INFORMATION

- Stainless Steel characteristics (see page A26)

ACCESSORY

- Adjustable hand lever GN 311 (see page)
- Damping washer GN 7062.30 (see page)



GN 311

Description	d0	l1	d1	h2	d2	d3	l2	h1	h3	⚖
GN 311-30-M4-12-SW	30 / 32	30	M 4	12	7.2	13	12	32	30	29
GN 311-30-M5-13-SW	36	30	M 5	13	8.7	13	14	33.5	31	32
GN 311-30-M5-15-SW	42	30	M 5	15	8.7	13	14	35	33	34
GN 311-45-M5-16-SW	48	45	M 5	16	8.7	13	16	36.5	34	40
GN 311-45-M6-18-SW	55	45	M 6	18	10	13	16	38.5	36	45
GN 311-45-M6-19-SW	60	45	M 6	19	10	13	16	39.5	37	46
GN 311-45-M6-20-SW	65	45	M 6	20	10	13	18	40.5	38	47